

Exporting Movies as VR Format Files to PC

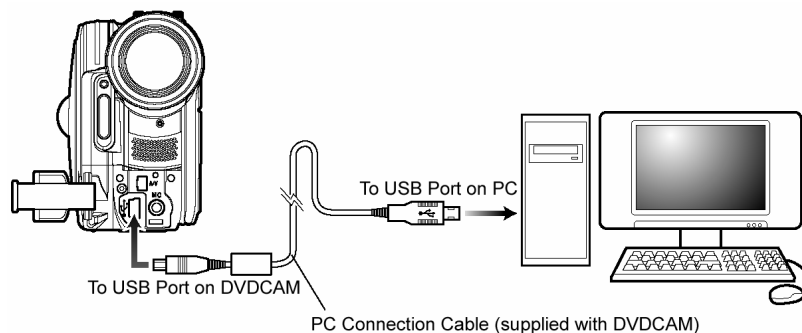
By using DVD-MovieAlbum CopyTool, images recorded by the DVDCAM can be exported as files in the as-is VR format into PC.

Image files in the VR format exported to PC can be copied to another DVD-RAM disc using DVD-MovieAlbum CopyTool and played back using the HDD mode of DVD-MovieAlbumSE.

This document explains how to copy DVD-RAM disc contents into the hard drive (HDD) on PC.

Step

1. Insert a DVD-RAM that you want to edit into the DVDCAM, and then connect the DVDCAM into the USB port on PC, as shown in the figure below.



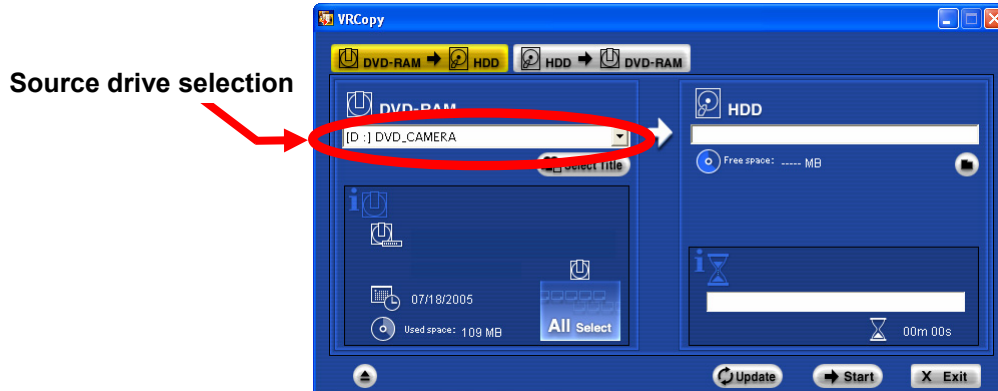
2. Turn the DVDCAM power switch to the video position.
3. Click the Windows **Start** button, go to **All Programs (or Programs) > Hitachi DVDCAM > DVD-MovieAlbumSE**, and then click **DVD-MovieAlbum CopyTool**. DVD-MovieAlbum CopyTool starts and the **VRCopy** window appears, as shown below.
4. Click the **DVD-RAM → HDD** tab.



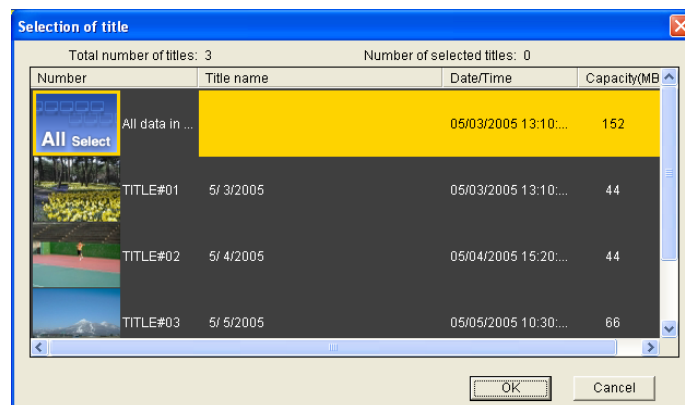
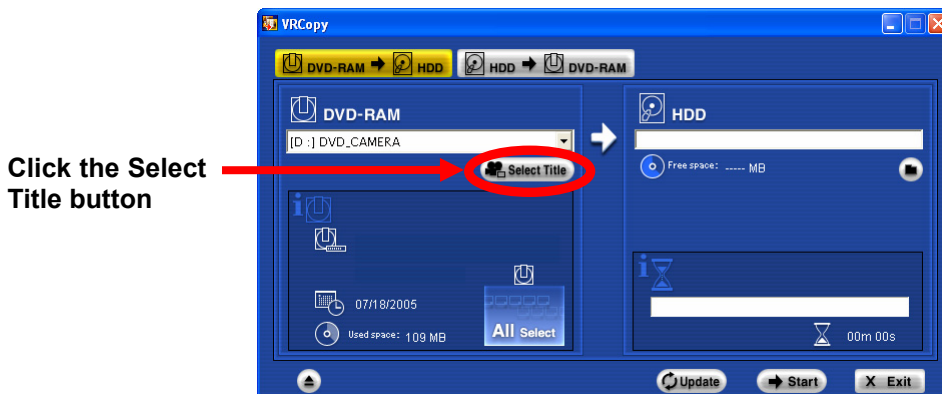
DVD-MovieAlbum CopyTool Initial Window

5. Select the copy source drive under **DVD-RAM** in the **DVD-RAM → HDD** tab.

The copy source drive selection box indicates a drive with a letter assigned to the DVDCAM or a DVD-RAM drive. Select the drive into which the source DVD-RAM disc is inserted.

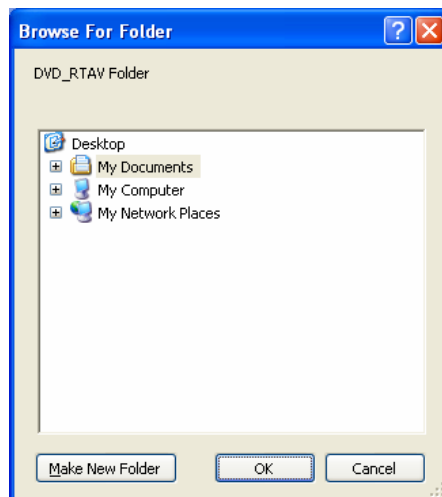
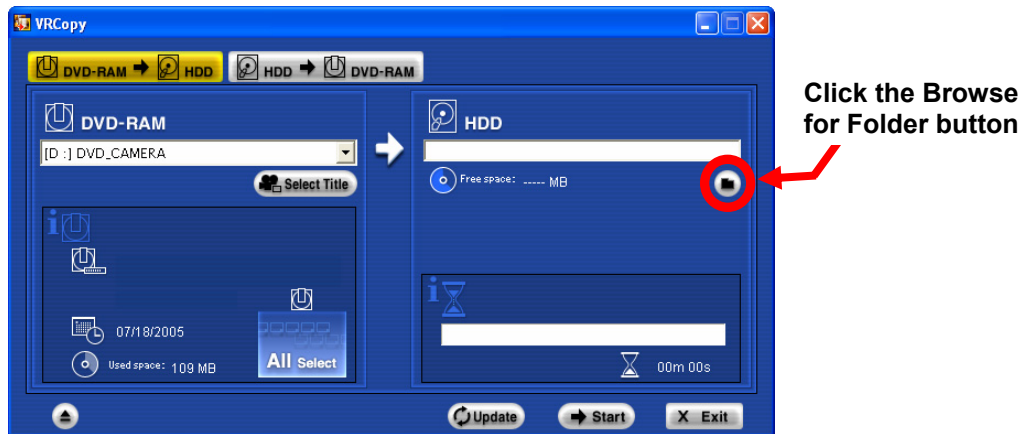


6. Optionally, you can select titles to be copied by clicking the **Select Title** button. When copying all the contents recorded in the disc, you do not have to select titles using the button.



CopyTool Title Selection Window

7. Click the **Browse for Folder** button, select a folder in the hard drive for the copy destination in the **Browse For Folder** dialog box, and then click **OK**.



CopyTool's Browse For Folder Dialog Box

8. Click the **Start** button. The program will prompt you to confirm the copy destination, and when you click **Yes** it starts copying the contents to the hard drive.

After copying is completed, a folder "**DVD_RTAV**" is created in the copy destination folder. You can play back and edit it using the HDD mode of DVD-MovieAlbumSE, or copy it onto another DVD-RAM disc using DVD-MovieAlbum CopyTool. For using the HDD mode and writing VR format data exported in the hard drive onto another DVD-RAM disc, please refer to Pages 102 -103 in the DVD-MovieAlbum Manual or Hitachi DVDCAM PC Software Support Center (<http://dvdcam-pc.support.hitachi.ca>).

Note

- 1) DVD-VR format data copied on the PC is saved in a folder "**DVD_RTAV**". If you delete or modify files in the folder using Explorer, etc., the data will be unusable with DVD-MovieAlbumSE and the DVDCAM.
- 2) If you do not select the **All Select** with the **Select Title** button in Step 6 above, the playlist

information and DCF-compliant JPEG files saved in the hard drive are not copied.

- 3) If the "**DVD_RTAV**" folder already exists in a folder in the hard drive that you selected for the copy destination in Step 7, the program does not copy it into the folder. In this case, select another folder.
- 4) When you copy all the contents of a DVD-RAM including the DCF-compliant folders and files, the program prompts you to determine whether to copy those data as well into the hard drive after completion of copying VR format data. If you want to copy the JPEG files as well into the hard drive, click **Yes**.
- 5) DVD-MovieAlbum CopyTool does not copy every file recorded in a DVD-RAM into the hard drive.