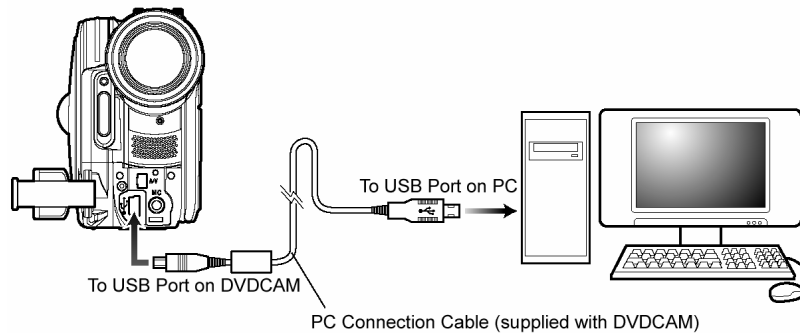


Exporting Still Pictures Recorded on DVDCAM to PC

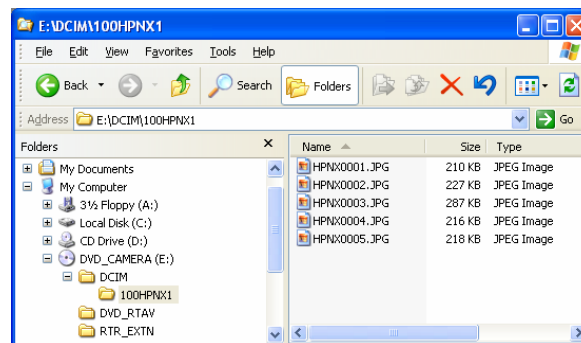
Still pictures recorded on discs or cards by the DVDCAM are saved as JPEG files in the 100HPNX1 folder under the DCIM folder on a DVD-RAM or card. You can enjoy viewing exported JPEG files on PC using an application program that supports JPEG files.

Step

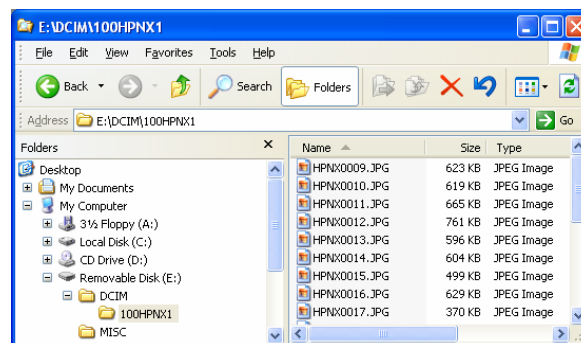
1. Insert a DVD-RAM or card into the DVDCAM from which you want to export still pictures, and then connect the DVDCAM into the USB port on PC, as shown in the figure below.



2. When exporting still pictures from a DVD-RAM, turn the DVDCAM power switch to the photo position. When exporting still pictures from a card, turn the DVDCAM power switch to the CARD position.
3. Open the drive icon of the DVDCAM in My Computer, and then open the **100HPNX1** folder (see Note below) under the **DCIM** folder in the DVD-RAM or card.



When a DVD-RAM disc Is Opened

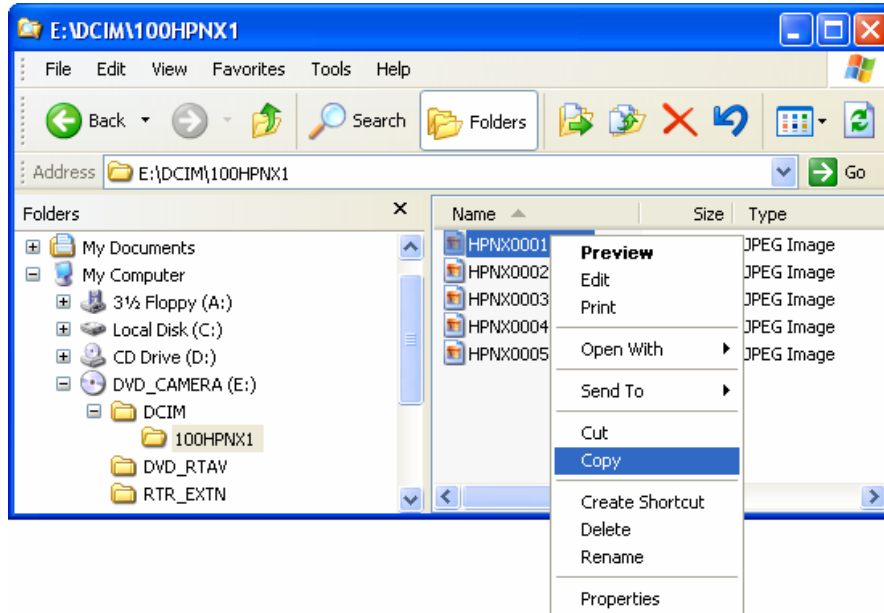


When an SD Card Is Opened

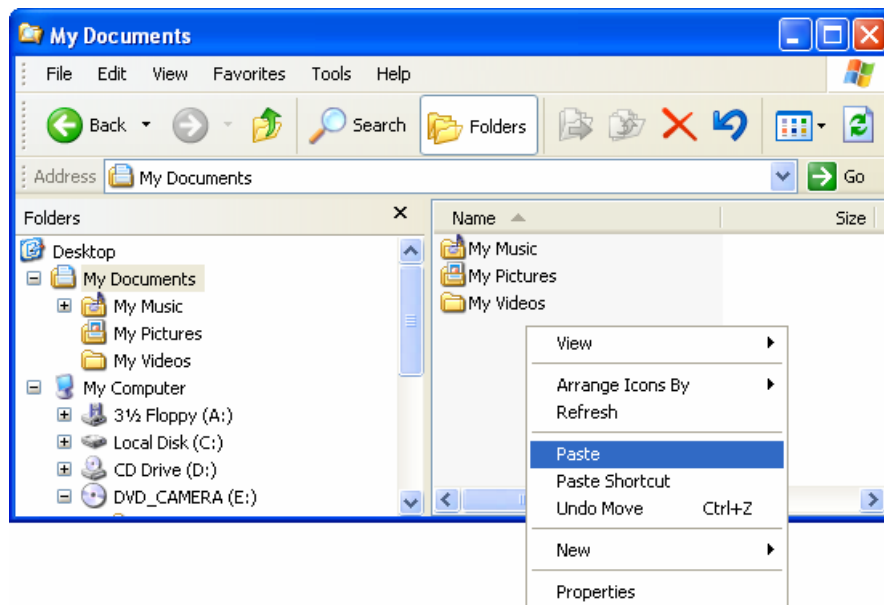
Note

If still pictures are recorded on DCF-compliant devices other than the DVDCAM, the numeric characters "100" of the folder name "100HPNX1" may vary.

4. Right-click image files to be exported, and click **Copy**.



5. Open the copy destination folder on PC, right-click inside the folder, and then click **Paste**.
The still pictures are copied into the copy destination folder.



Note

Do not delete files/folders or change those names in a DVD-RAM and card.